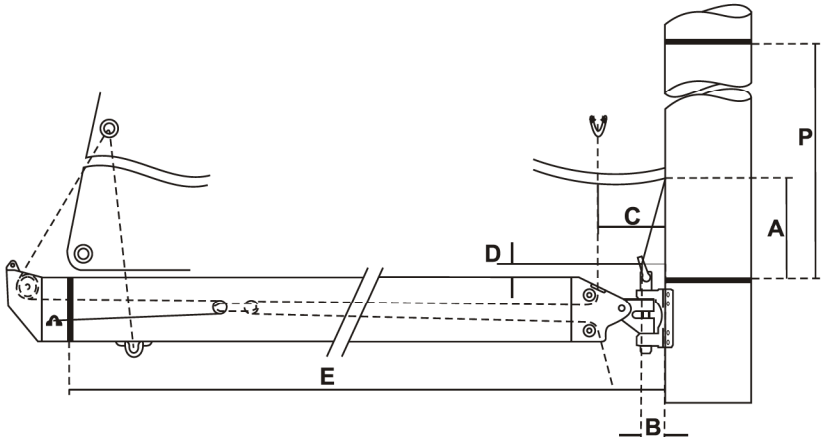


# MAINSAIL



NAME	
SURNAME	
ADDRESS	
PHONE NUMBER	



MAST			
1		2	
2		3	
3		4	
4			

BOOM			
1		2	
2		3	
3		4	
4			

TYPE OF THE YACHT	
LENGHT OF THE YACHT	
TOP OR FRACTIONAL	
P	
E	
CUT 1 - 5	
CLOTH	
SHORT BATTENS	
LONG BATTENS	
MASTSLIDERS ON THE MAST	
MASTSLIDERS ON THE BOOM	
TACK A	
TACK B	
TACK C	
TACK D	
NUMBER	
COLOUR	
REEFS	
H <sub>1</sub>	
H <sub>2</sub>	
OTHER INFORMATIONS	

