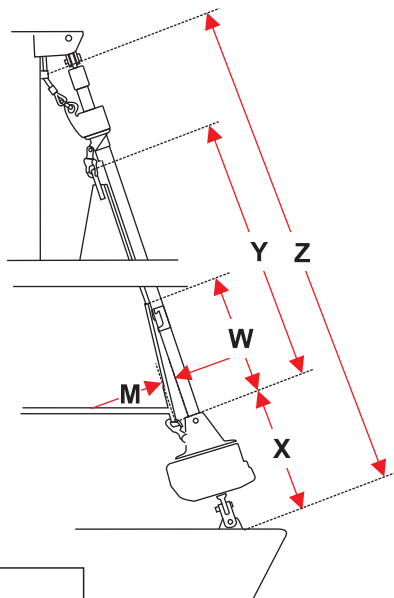


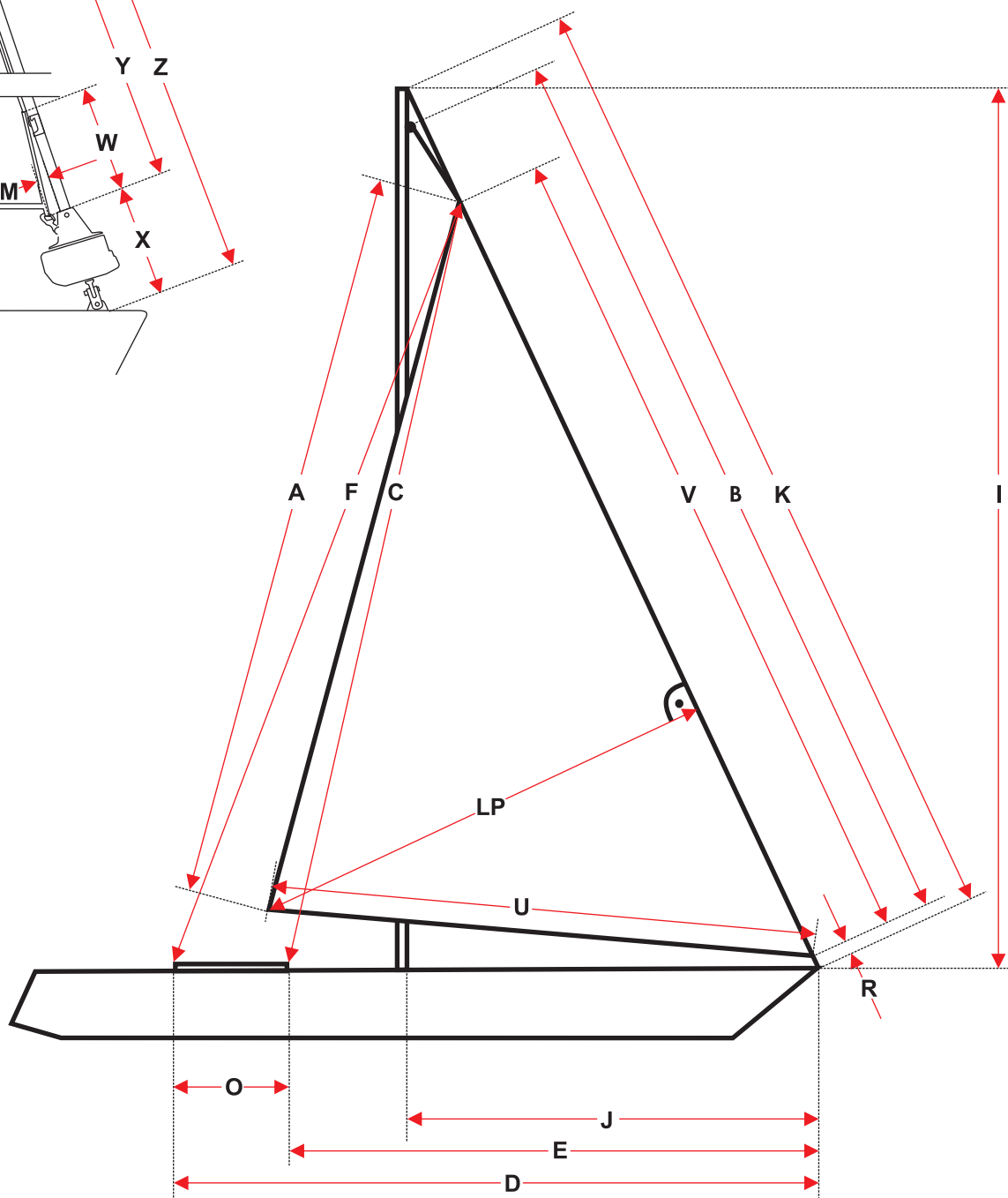
# GENOA, JIB



NAME	
SURNAME	
ADDRESS	
PHONE NUMBER	



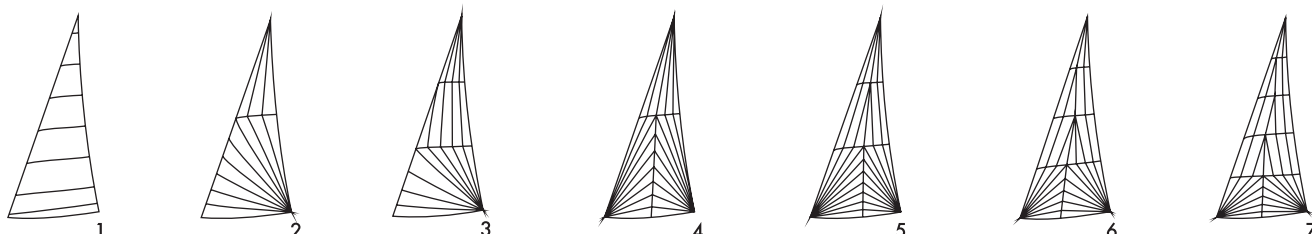
A	
B	
C	
D	
E	
F	
I	
J	
K	
LP	
M	
O	
R	
U	
W	
V	
X	
Y	
Z	



# GENOA, JIB



NAME	
SURNAME	
ADDRESS PHONE NUMBER	



TYPE OF THE YACHT	
LENGHT OF THE YACHT	
TYPE OF THE SAIL	
A. GENOA 150%	
- LIGHT	
- MIDDLE	
- HEAVY	
B. GENOA 135%	
C. JIB 100%	
D. STORM JIB	
CUT 1 - 7	
CLOTH	
TYPE OF ROLLER	
Ø	
G	
ROLLER WITH THE WIRE	
UV CLOTH FOR FOOT AND HEAD - CLEW	
COLOUR	
ROLLCOMPENSATOR	
CLEW BOARDS	
PISTON HANKS STEEL OF PLASTIC	
TOP OR FRACTIONAL	
OTHER INFORMATIONS	

