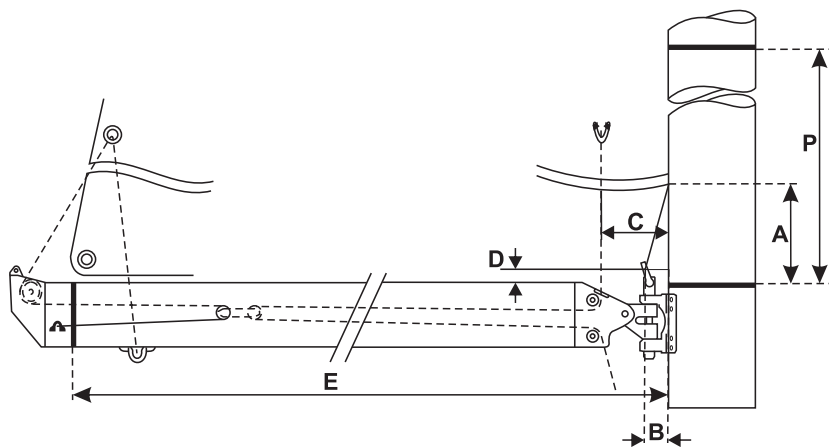


MAINSAIL



NAME	
SURNAME	
ADDRESS	
PHONE NUMBER	



MAST	
1	1
2	2
	3
	4

BOOM	
1	1
2	2
3	3
	4

TYPE OF THE YACHT	
LENGTH OF THE YACHT	
TOP OR FRACTIONAL	
P	
E	
CUT 1 - 5	
CLOTH	
SHORT BATTENS	
LONG BATTENS	
MASTSLIDERS ON THE MAST	
MASTSLIDERS ON THE BOOM	
TACK A	
TACK B	
TACK C	
TACK D	
NUMBER	
COLOUR	
REFY	
H ₁	
H ₂	
OTHER INFORMATIONS	

